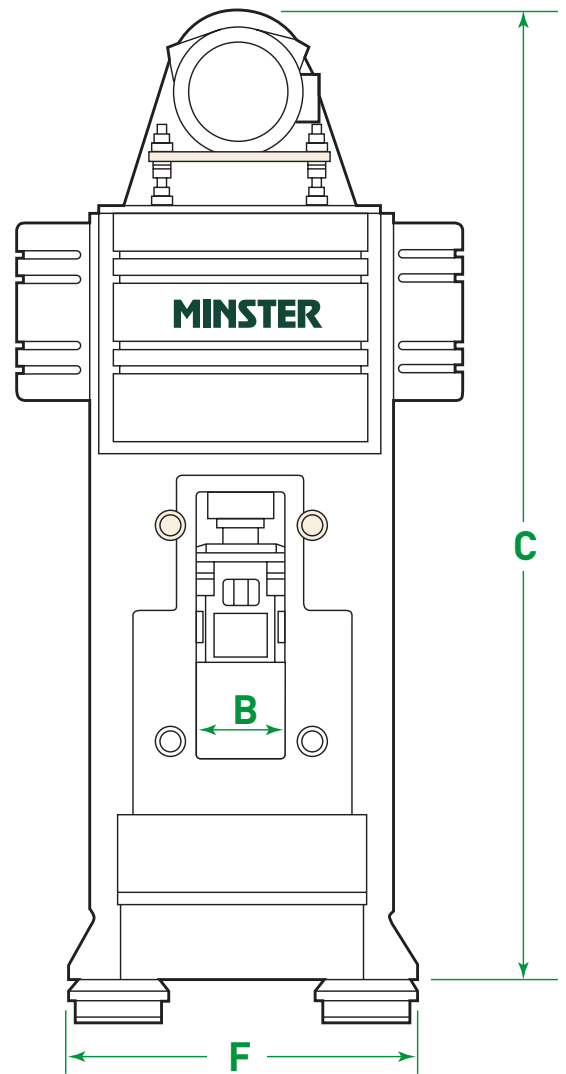
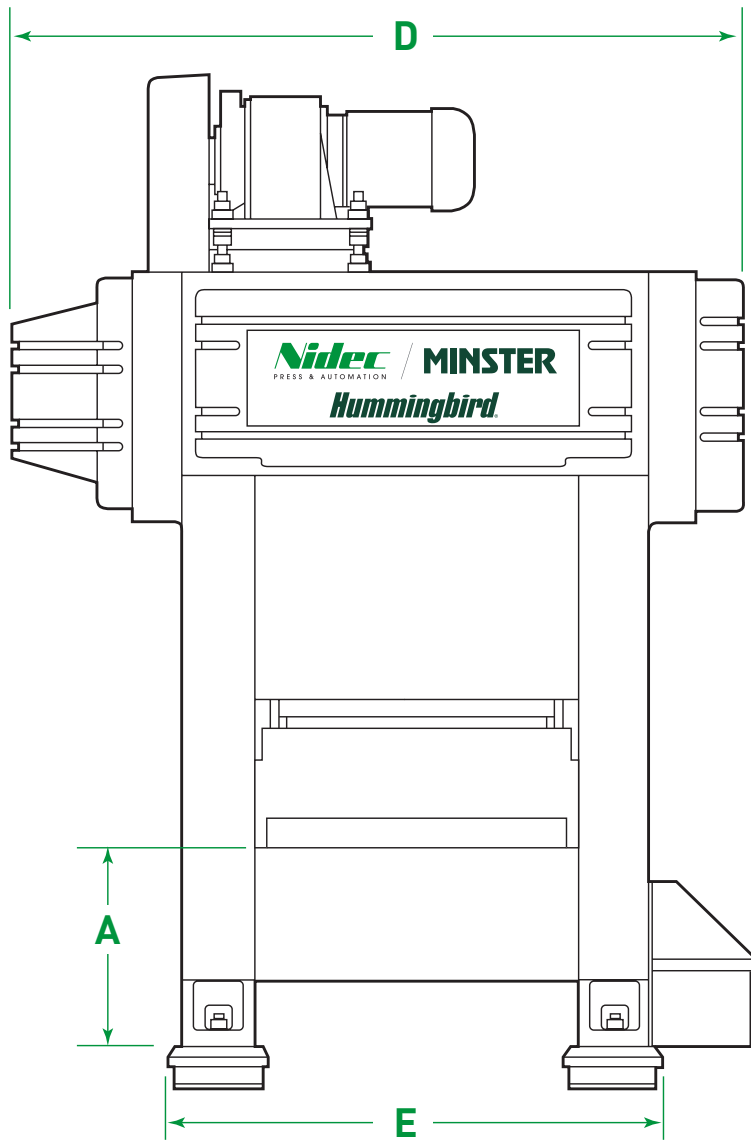

Specifications & Dimensions



	HB-60	HB-80	HB-60 SPM	HB-80 SPM
			Max.	Max.
Tons Capacity	600 kN / 66 Tons	800 / 90		
Stroke of Slide (Standards)	0.98" ~ 25 mm	0.98" ~ 25 mm	1000	1000
	1.18" ~ 30 mm	1.18" ~ 30 mm	900	900
	1.57" ~ 40 mm	1.57" ~ 40 mm	750	750
	1.97" ~ 50 mm	1.97" ~ 50 mm	650	650
Stroke of Slide (Adjustable)	0.59" ~ 15 mm	.59" ~ 15 mm	1000	1000
	0.79" ~ 20 mm	0.79" ~ 20 mm	900	900
	0.98" ~ 25 mm	0.98" ~ 25 mm	800	800
	1.18" ~ 30 mm	1.18" ~ 30 mm	750	750
	1.38" ~ 35 mm	1.38" ~ 35 mm	700	700
	1.57" ~ 40 mm	1.57" ~ 40 mm	650	650
	1.77" ~ 45 mm	1.77" ~ 45 mm	600	600
	1.97" ~ 50 mm		550	
Slide Adjustment	1.97" ~ 50 mm	1.97" ~ 50 mm		
Shutheight on Bolster (S.D.A.U.)	13.98" ~ 355 mm	13.0" ~ 330 mm		
Shutheight on Bed (S.D.A.U.)	19.0" ~ 483 mm	18.29" ~ 464,60 mm	Varies According to Stroke Length	
Bolster Thickness	5.0" ~ 127 mm	5.30" ~ 134,60 mm		
Area of Slide, R-L x F-B	43.30 x 18.90" 1100 x 480 mm	48.03 x 20.08" 1220 x 510 mm		
Area of Bed, R-L x F-B	43.50 x 28.60" 1105 x 724 mm	48.50 x 28.0" 1232 x 711 mm		
Area of Bolster, R-L x F-B	43.30 x 27.60" 1100 x 700 mm	48.03 x 27.56" 1220 x 700 mm		
Bed Opening, R-L x F-B	37.0 x 10.0" 940 x 254 mm	44.0 x 11.0" 1117 x 280 mm		
A Bottom of Feet to Top of Bed	33.0" ~ 838 mm	33.0" ~ 838 mm		
B Upright Opening, F-B	15.0" ~ 381 mm	15.0" ~ 381 mm		
C Approximate Overall Height	157" ~ 3988 mm	160" ~ 4070 mm		
D Overall Width	116" ~ 2946 mm	120" ~ 3048 mm		
E x F Area of Footprint, R-L x F-B	74.0 x 54.0" 1880 x 1371 mm	81.0 x 57.25" 2057 x 1454 mm		
Strokes per Minute @ 25 mm	125-1000	125-100		
Motor HP and Speed	40-1800 hp 30-1800 kw	50-1800 37.5-1800		
Approximate Weight	38,000 lbs 17.263 kg	45000 20.410		