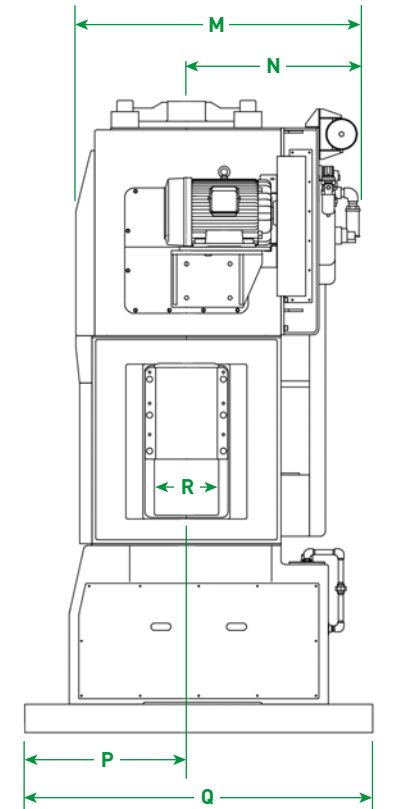
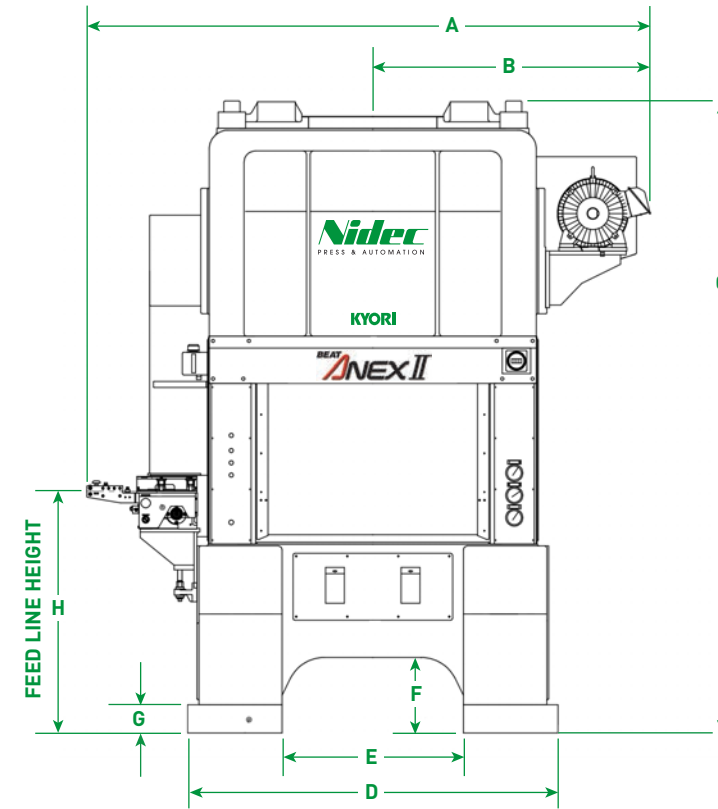
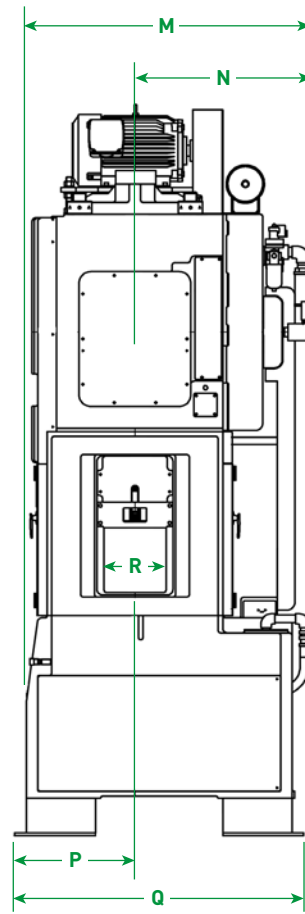
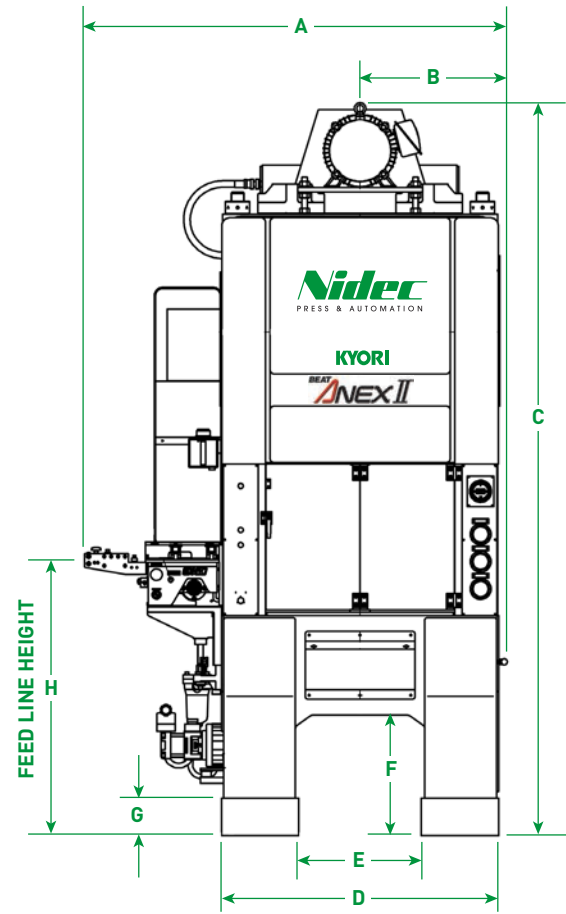


## SPECIFICATIONS

		ANEX-15H	ANEX-30II	ANEX-40II	ANEX-40II W
Tons Capacity	kN	150	300	400	400
Stroke Length	mm	10	20/25/32	20/25/30/32	20/25/32/40
Strokes Per Minute	SPM	200-1800 (2000)	200-1200/1050/900	180-1000/900/850/850	180-850/800/700/700
Shutheight	mm	220	240	240	240/240/240/235
Shutheight Adjustment	mm	30	40	50	50/50/50/45
Slide Area	mm	500 x 260	600 x 300	750 x 340	950 x 450
Bolster Area	mm	500 x 360	600 x 400	750 x 500	950 x 600
Bolster Thickness	mm	80	90	120	120
Bed Opening	mm	350 x 50	400 x 100	560 x 120	790 x 120
Bolster Opening	mm	250 x 40	350 x 60	500 x 100	700 x 100
Main Motor	kw	15	11	15	18.5

ANEX-60II	ANEX-60II W	ANEX-80II	ANEX-80 W	ANEX125
600	600	800	800	1250
20/25/32	25/32/40/45/50	20/25/32/36	25/32	25/36
100-750/750/650	100-700/600/450/400/350	120-700/600/550/500	120-500/450	100-400/350
300	340/340/335/325/320	320	320	350
80	80/80/75/65/60	80	80	80
1030 x 500	1280 x 500	1080 x 580	1380 x 580	1480 x 600
1100 x 600	1350 x 600	1200 x 800	1500 x 800	1600 x 900
140	140	160	160	180
840 x 120	1050 x 120	900 x 160	1200 x 160	1300 x 160
780 x 80	1000 x 80	860 x 120	1160 x 120	1260 x 120
22	22	30	30	37

# DIMENSIONS



	ANEX-15H	ANEX-30II	ANEX-40II	ANEX-40II W
A	1510 mm	1780 mm	1850 mm	2050 mm
B	570 mm	610 mm	645 mm	745 mm
C	2820 mm	3075 mm	3180 mm	3185 mm
D	990 mm	1160 mm	1200 mm	1530 mm
E	420 mm	520 mm	530 mm	521 mm
F	554 mm	530 mm	521 mm	521 mm
G	164 mm	160 mm	161 mm	161 mm
H	1074±20 mm	1120±20 mm	1191±20 mm	1191±20 mm
M	1240 mm	1315 mm	1300 mm	1330 mm
N	720 mm	780 mm	830 mm	830 mm
P	450 mm	535 mm	520 mm	530 mm
Q	1060 mm	1210 mm	1250 mm	1270 mm
R	140 mm	160 mm	200 mm	200 mm

	ANEX-60II	ANEX-60II W	ANEX-80II	ANEX-80 W	ANEX-125
A	2840 mm	3090 mm	3000 mm	3280 mm	3520 mm
B	1420 mm	1545 mm	1470 mm	1620 mm	1670 mm
C	3080 mm	3170 mm	3380 mm	3380 mm	4070 mm
D	1900 mm	2150 mm	1960 mm	2260 mm	2580 mm
E	900 mm	1150 mm	960 mm	1260 mm	1320 mm
F	550 mm	550 mm	400 mm	400 mm	515 mm
G	150 mm	150 mm	150 mm	150 mm	200 mm
H	1240±20 mm	1240±20 mm	1280±20 mm	1280±20 mm	1630±20 mm
M	1490 mm	1490 mm	1555 mm	1560 mm	1730 mm
N	945 mm	945 mm	970 mm	970 mm	1050 mm
P	705 mm	705 mm	855 mm	820 mm	825 mm
Q	1540 mm	1540 mm	1840 mm	1840 mm	1780 mm
R	230 mm	230 mm	280 mm	280 mm	360 mm