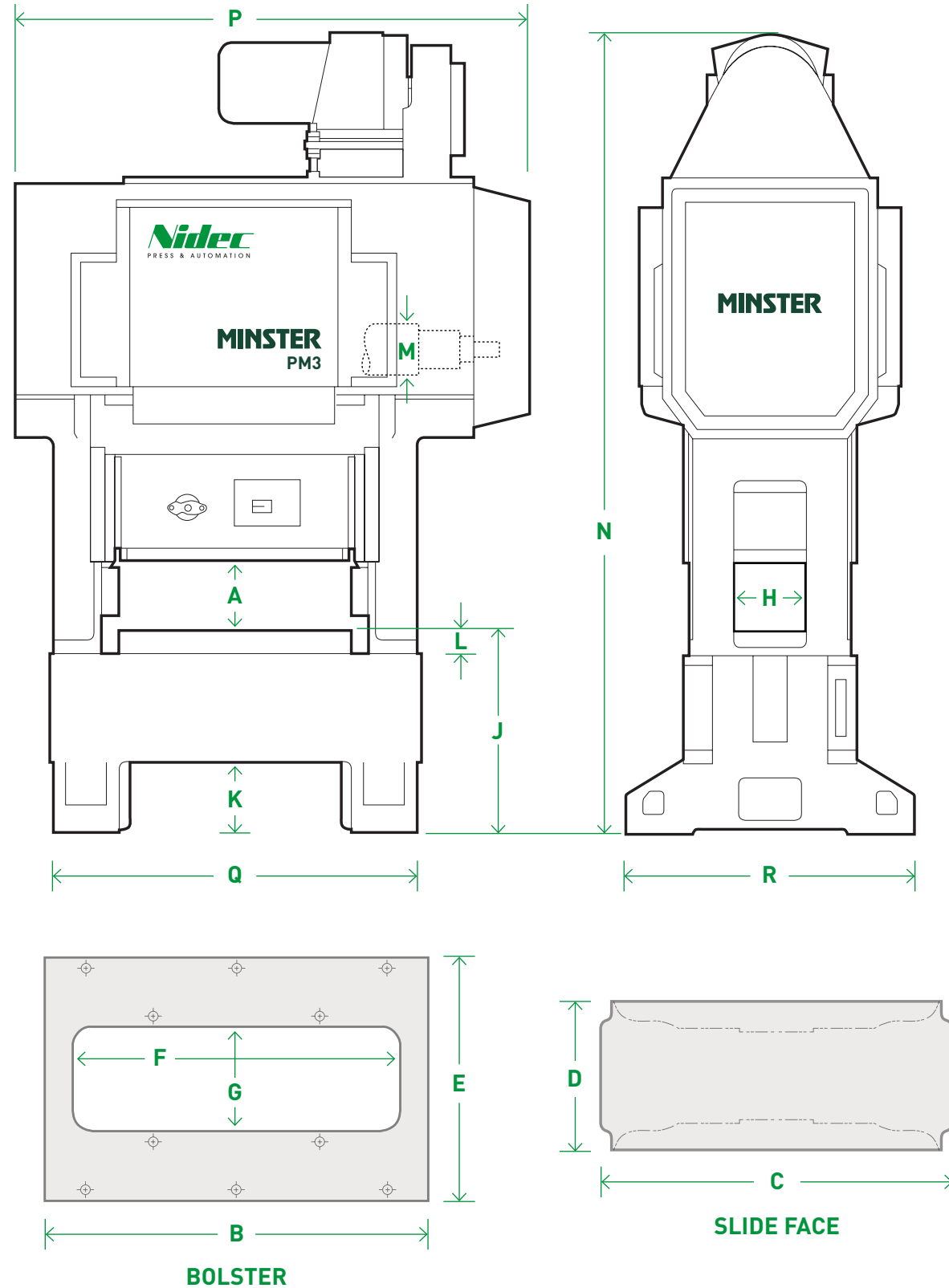


SPECIFICATIONS & DIMENSIONS



	PM3-125		PM3-200-60		PM3-200-75		PM3-300	
Tons Capacity	1,112 kN 125 US tons		1,780 kN 200 US tons		1,780 kN 200 US tons		2,669 kN 300 US tons	
Slide Stroke vs. Speed	STROKE	MAX. SPEED	STROKE	MAX. SPEED	STROKE	MAX.SPEED	STROKE	MAX.SPEED
	25 mm 1 in	800	25 mm 1 in	600	25 mm 1 in	600		
	32 mm 1.25 in	700	32 mm 1.25 in	600	32 mm 1.25 in	550	32 mm 1.25 in	550
	38 mm 1.50 in	650	38 mm 1.50 in	550	38 mm 1.50 in	500	38 mm 1.50 in	500
	50 mm 2 in	500	50 mm 2 in	500	50 mm 2 in	450	50 mm 2 in	400
	65 mm 2.50 in	400	65 mm 2.50 in	400	65 mm 2.50 in	400	65 mm 2.50 in	300
A	Shutheight on Bolster (SDAU) Standard		380 mm 15 in		375 mm 14.88 in		375 mm 14.88 in	
	Slide Adjustment (Standard)		127 mm 5 in		127 mm 5 in		127 mm 5 in	
B	Width of Bed, R-L		1,220 mm 48 in		1,525 mm 60 in		1,905 mm 75 in	
CxD	Area of Slide, R-L x F-B		1,220 x 520 mm 48 x 20.5 in		1,525 x 635 mm 60 x 25 in		1,905 x 635 mm 75 x 25 in	
BxE	Area of Bolster, R-L x F-B		1,220 x 815 mm 48 x 32 in		1,525 x 990 mm 60 x 39 in		1,905 x 990 mm 75 x 39 in	
FxG	Maximum Opening Bed R-L x F-B		1,040 x 330 mm 41 x 13 in		1,220 x 380 mm 48 x 15 in		1,600 x 380 mm 63 x 15 in	
H	Upright Opening, F-B		380 mm 15 in		485 mm 19 in		485 mm 19 in	
J	Distance Bottom of Foot to Top of Bolster		1,090 mm 43 in		1,395 mm 55 in		1,395 mm 55 in	
K	Distance Bottom of Foot to Bottom of Bed		380 mm 15 in		405 mm 16 in		405 mm 16 in	
L	Bolster Thickness (Standard)		125 mm 5 in		180 mm 7 in		180 mm 7 in	
M	Main Bearing Diameter		140 mm 5.5 in		180 mm 7 in		180 mm 7 in	
N	Approximate Overall Height (Standard Stroke & Shutheight)		437 cm 172 in		536 cm 211 in		536 cm 211 in	
P	Overall Width		320 cm 126 in		363 cm 143 in		401 cm 158 in	
QxR	Area of Footprint, R-L x F-B		1,935 x 1,525 mm 76.25 x 60 in		2,394 x 1,725 mm 94.25 x 68 in		2,775 x 1,725 mm 109.25 x 68 in	
	Standard Feed Direction		L-R		L-R		L-R	
	Upper Die Weight for Dynamic Balance (±50%)		227 kg 500 lbs		499 kg 1,100 lbs		816 kg 1,800 lbs	
	Motor HP (For Maximum Speed)		30 Kw 40 Hp		37 Kw 50 Hp		37 Kw 50 Hp	
	Press Weight		24,040 kg 53,000 lbs		40,825 kg 90,000 lbs		44,550 kg 99,000 lbs	
	Quick Lift Access		76 mm 3 in		76 mm 3 in		76 mm 3 in	

STANDARD